

Model: D6SU-400 X

Data

Type: Semi-hermetic piston compressors

Producer: Copeland

Series: S

Model: D6SU-400 X

Technical data

Cylinder count:	6
Displacement [m ³ /h]:	151,8
Weight [kg]:	281
Oil charge [dm ³]:	7,4
Max. operating current [A]:	74,7
Locked rotor current [A]:	347
Power supply [V/~/Hz]:	400V/3/50Hz

Connections

	<u>millimeters</u>	<u>inches</u>
Suction line:		
Discharge line:		

Model: D6SU-400 X

Capacity

R404A/R507

Cooling capacity [kW]

$t_c \setminus t_e$	-45	-40	-35	-30	-25	-20	-15	-10	-5
10	23.51	31.41	41.17	52.96	66.94	83.26	-	-	-
15	21.52	29.03	38.30	49.49	62.76	78.27	-	-	-
20	19.57	26.69	35.45	46.03	58.57	73.25	90.23	-	-
25	17.66	24.37	32.62	42.57	54.38	68.22	84.24	102.62	-
30	15.81	22.10	29.82	39.13	50.20	63.18	78.24	95.55	115.25
35	14.01	19.87	27.05	35.72	46.03	58.14	72.23	88.45	106.96
40	12.28	17.70	24.32	32.33	41.87	53.11	66.21	81.34	98.65
45	10.62	15.58	21.64	28.98	37.74	48.09	60.19	74.21	90.30
50	-	13.53	19.02	25.66	33.63	43.08	54.18	67.08	81.95
55	-	11.55	16.45	22.40	29.57	38.10	48.18	59.95	73.58

Power input [kW]

$t_c \setminus t_e$	-45	-40	-35	-30	-25	-20	-15	-10	-5
10	11.83	13.62	15.32	16.90	18.30	19.50	-	-	-
15	12.09	14.08	16.03	17.90	19.64	21.21	-	-	-
20	12.21	14.40	16.59	18.73	20.80	22.74	24.53	-	-
25	12.20	14.58	17.00	19.42	21.80	24.11	26.29	28.32	-
30	12.09	14.65	17.29	19.98	22.67	25.32	27.90	30.37	32.68
35	11.89	14.62	17.48	20.42	23.41	26.40	29.37	32.26	35.05
40	11.61	14.50	17.56	20.75	24.03	27.36	30.70	34.02	37.27
45	11.27	14.31	17.57	20.99	24.56	28.21	31.92	35.65	39.35
50	-	14.06	17.50	21.16	25.00	28.97	33.04	37.17	41.32
55	-	13.77	17.39	21.27	25.37	29.65	34.07	38.60	43.18

Model: D6SU-400 X

Capacity

Current [A]

$t_c \setminus t_e$	-45	-40	-35	-30	-25	-20	-15	-10	-5
10	32.69	33.99	35.38	36.86	38.43	40.09	-	-	-
15	33.15	34.86	36.67	38.57	40.56	42.64	-	-	-
20	33.39	35.52	37.75	40.07	42.48	44.98	47.57	-	-
25	33.42	35.97	38.62	41.36	44.19	47.11	50.12	53.22	-
30	33.23	36.21	39.27	42.43	45.68	49.02	52.45	55.97	59.58
35	32.83	36.23	39.72	43.29	46.96	50.72	54.57	58.51	62.54
40	32.23	36.04	39.95	43.95	48.03	52.21	56.48	60.84	65.29
45	31.41	35.64	39.97	44.38	48.89	53.49	58.18	62.96	67.83
50	-	35.03	39.77	44.61	49.54	54.56	59.66	64.86	70.15
55	-	34.20	39.37	44.62	49.97	55.41	60.94	66.56	72.27

Mass flow [kg/s]

$t_c \setminus t_e$	-45	-40	-35	-30	-25	-20	-15	-10	-5
10	463.95	631.58	833.25	1 074.68	1 361.64	1 699.88	-	-	-
15	446.86	610.34	808.26	1 046.39	1 330.46	1 666.23	-	-	-
20	428.48	587.57	781.55	1 016.14	1 297.11	1 630.21	2 021.17	-	-
25	409.00	563.50	753.30	984.15	1 261.80	1 592.00	1 980.50	2 433.04	-
30	388.62	538.31	723.73	950.62	1 224.73	1 551.82	1 937.63	2 387.91	2 908.42
35	367.55	512.21	693.03	915.74	1 186.10	1 509.86	1 892.77	2 340.57	2 859.03
40	345.99	485.41	661.40	879.72	1 146.11	1 466.32	1 846.11	2 291.22	2 807.41
45	324.13	458.09	629.05	842.75	1 104.96	1 421.41	1 797.87	2 240.07	2 753.76
50	-	430.46	596.17	805.05	1 062.85	1 375.33	1 748.23	2 187.30	2 698.30
55	-	402.73	562.97	766.80	1 019.99	1 328.27	1 697.41	2 133.14	2 641.21

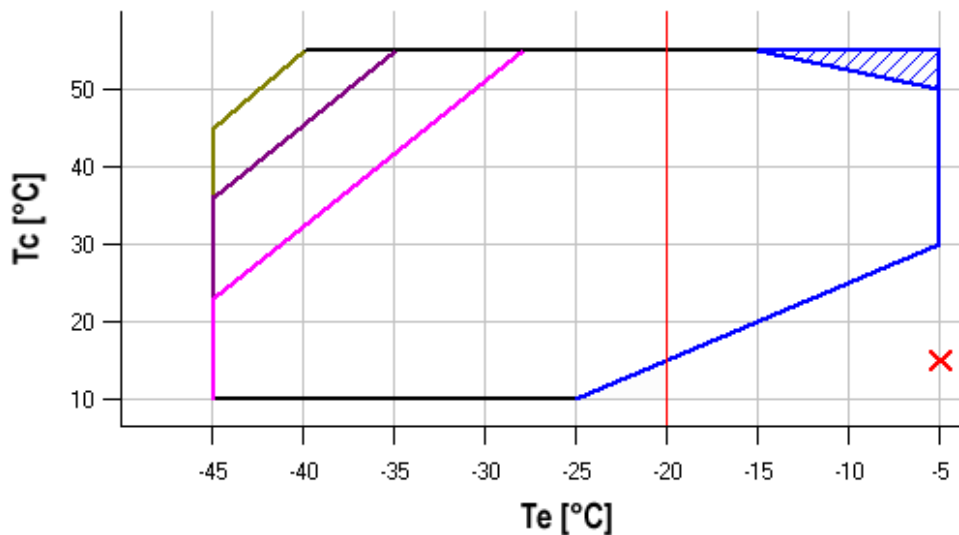
Model: D6SU-400 X

Capacity

C.O.P. [W/W]

$t_c \setminus t_e$	-45	-40	-35	-30	-25	-20	-15	-10	-5
10	1.99	2.31	2.69	3.13	3.66	4.27	-	-	-
15	1.78	2.06	2.39	2.77	3.20	3.69	-	-	-
20	1.60	1.85	2.14	2.46	2.82	3.22	3.68	-	-
25	1.45	1.67	1.92	2.19	2.49	2.83	3.20	3.62	-
30	1.31	1.51	1.72	1.96	2.21	2.50	2.80	3.15	3.53
35	1.18	1.36	1.55	1.75	1.97	2.20	2.46	2.74	3.05
40	1.06	1.22	1.39	1.56	1.74	1.94	2.16	2.39	2.65
45	0.94	1.09	1.23	1.38	1.54	1.70	1.89	2.08	2.29
50	-	0.96	1.09	1.21	1.35	1.49	1.64	1.80	1.98
55	-	0.84	0.95	1.05	1.17	1.28	1.41	1.55	1.70

Application range



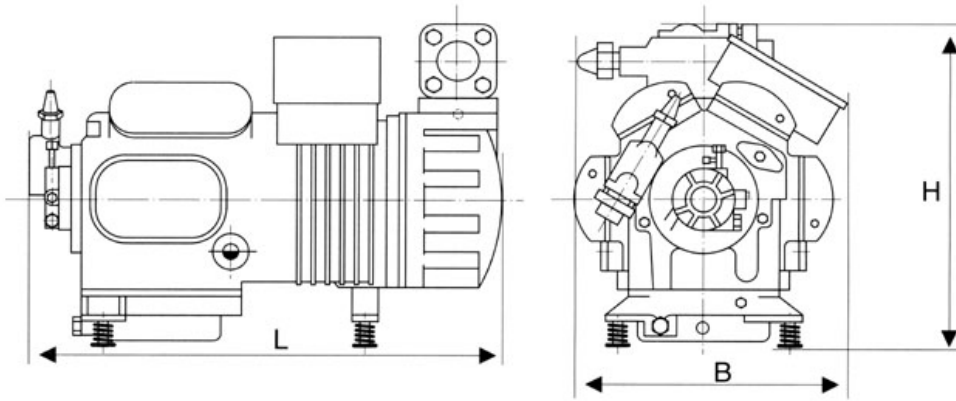
Maximum evaporating temperature
 25°C suction gas temperature

0°C suction gas return
 0°C suction gas return + additional cooling
 Limited superheat 20K

Operating conditions: ISO; subcooling: 0 K, suction superheat: - K, return gas temperature: 20
 t_c - Condensing temperature [°C]
 t_e - Evaporating temperature [°C]

Model: D6SU-400 X

Dimensions



L	740 mm
B	540 mm
H	545 mm

Model: D6SU-400 X

Image

